

SOLENOID VALVE - G1/4

DP1 Series

Cat No DP1 - 01 - 01

PNEUMATIC VALVE - G1/4

Features

- Diaphragm operated poppet seat
- No lubrication required
- Maintenance free
- Wide range of coil voltages
- Continuous duty cycle
- Good flow characteristics
- Coil can be rotated by 360°
- Suitable for dirty / dusty environment



Technical Specifications

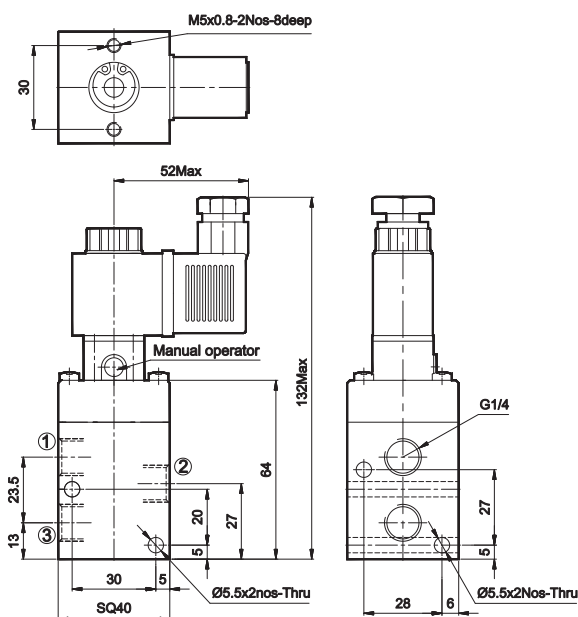
| Model | DP1 | |
|--------------------------------|---|--------------------|
| Type | 3/2 | 5/2 |
| Port size | Inlet (1), Outlet (2,4), Exhaust (3,5) - G1/4 | |
| Medium | Compressed air | |
| Ambient temperature | -10° to +60° C | |
| Medium temperature | +5° to +50° C | |
| Operating pressure range (bar) | 2 to 10 bar | |
| Orifice (NW) | 6 | |
| Flow rate @ (lpm) | 1000 | 1000 |
| Electrical | | |
| Coil width | 22 mm | |
| Voltage (V) ± 10% | AC (50 Hz) 24, 48, 110, 220 | DC 12, 24, 48, 110 |
| Power consumption | 6 VA | 5 W |
| Duty cycle | Continuous | |
| Class of insulation | Class F | |
| Type of coil protection | IP65 | |
| Materials of construction | Aluminium, Brass, Stainless steel, Nitrile | |

@ Inlet pressure 6 bar, and pressure drop 1 bar

Spare parts list

| Ref. No. | Coil (without socket) | | Ordering no. for | |
|----------|-------------------------|--|------------------|-------|
| | Voltage (V) | | AC 50Hz | DC |
| 1 | 220 | | AC23A | Nil |
| | 110 | | AC23B | DC24Q |
| | 48 | | AC23D | DC24S |
| | 24 | | AC23G | DC24W |
| | 12 | | Nil | DC24R |
| 2 | Actuator assembly | | SC3001 | |

3 / 2 Single solenoid pilot operated normally open valve with spring return



1 - Inlet, 2 - Outlet, 3 - Exhaust

| Ordering No | DP135SR61 |
|-------------|-----------|
| Symbol | |

Note: Modular valve rotatable by 90° incremental in 4 positions. We can assemble according to the manual operator position requirement.

Caution:

A. To ensure proper functioning

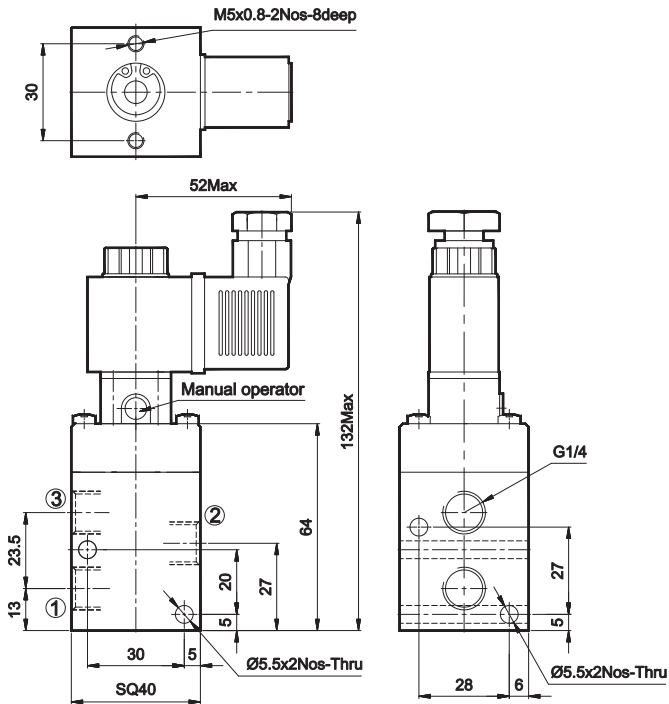
1. Please ensure that inlet port is connected to tubing of 6 mm ID minimum from the compressor air source.
2. Exhaust should not be restricted.

SOLENOID VALVE - G1/4

DP1 Series

Cat No DP1 - 01 - 01

3 / 2 Single solenoid pilot operated normally closed valve with spring return

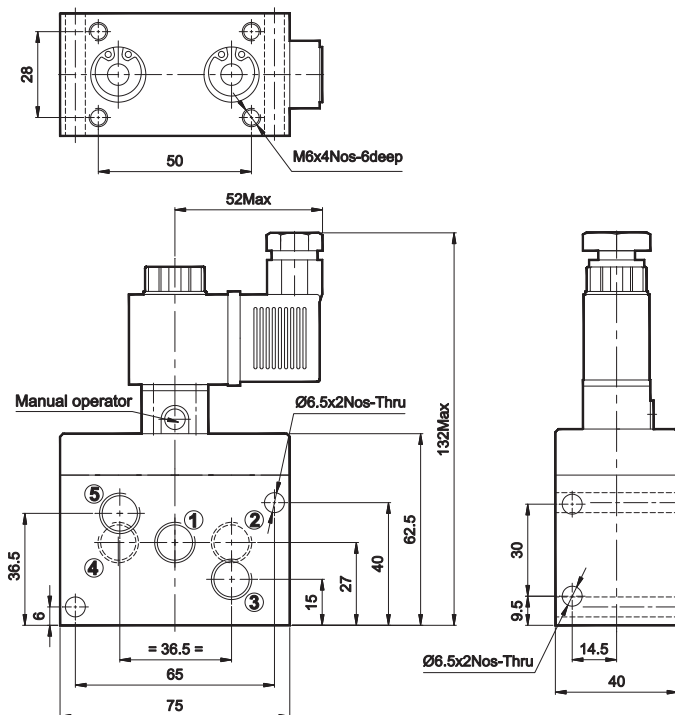


1 - Inlet, 2 - Outlet, 3 - Exhaust

| | |
|-------------|-----------|
| Ordering No | DP145SR61 |
| Symbol | |

Note: Modular valve rotatable by 90° incremental in 4 positions. We can assemble according to the manual operator position requirement.

5 / 2 Single solenoid pilot operated valve with spring return



1 - Inlet, 2,4 - Outlet, 3,5 - Exhaust

| | |
|-------------|-----------|
| Ordering No | DP155SR61 |
| Symbol | |

SOLENOID VALVE - G1/4

DP1 Series

Cat No DP1 - 01 - 01

How to order

1. Solenoid valve + “ Connectors without LED ”

While ordering Solenoid operated valves, please mention the suffix given below along with the model number to indicate the required voltage

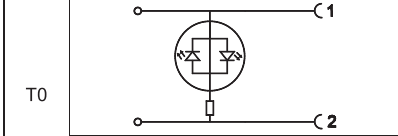
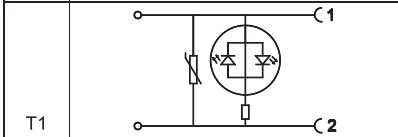
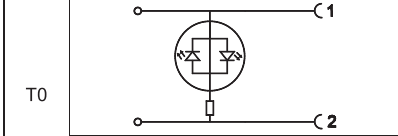
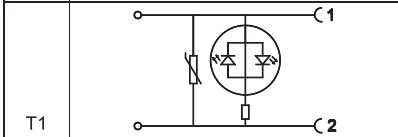
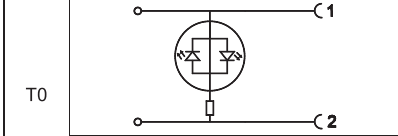
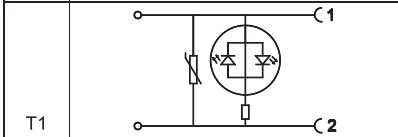
| | | | |
|---|---------|---|----------|
| A | 220V AC | Q | 110V D C |
| B | 110V AC | S | 48V D C |
| D | 48V AC | W | 24V D C |
| G | 24V AC | R | 12V D C |

Example

- The ordering no. for 3/2 Single solenoid pilot operated NO valve with 24V D.C coil is **DP135SR61-W**
- The ordering no. for 3/2 Single solenoid pilot operated NO valve with 24V D.C coil with Moulded cable is **DP135SR61-W1**

2. Solenoid valve + “ Connectors with LED ”

While ordering Solenoid operated valves with LED connectors, given below in the corresponding tables.

| ○ | ○ ○ | R | ○ | | | | | | | | | | | | | | | | | | | | | | | | |
|--|--|----------|---|---------|---|--------|---|--------|--|-----------------------------|--|----|---|----|--|---|------------|--|---|-----|---|-----------------|--|---|----------------|---|------------------------------------|
| <table border="1"> <thead> <tr> <th colspan="2">Voltage</th> </tr> </thead> <tbody> <tr> <td>A</td> <td>220V AC</td> </tr> <tr> <td>G</td> <td>24V AC</td> </tr> <tr> <td>W</td> <td>24V DC</td> </tr> </tbody> </table> | Voltage | | A | 220V AC | G | 24V AC | W | 24V DC | <table border="1"> <thead> <tr> <th colspan="2">Housing Colour & Indication</th> </tr> </thead> <tbody> <tr> <td style="text-align: center;">T0</td> <td>  <p>Transparent housing with Bipolar LED indicator confirming supply voltage</p> </td> </tr> <tr> <td style="text-align: center;">T1</td> <td>  <p>Transparent housing with Bipolar LED indicator confirming supply voltage plus varistor to give over voltage protection to the source and load</p> </td> </tr> </tbody> </table> | Housing Colour & Indication | | T0 |  <p>Transparent housing with Bipolar LED indicator confirming supply voltage</p> | T1 |  <p>Transparent housing with Bipolar LED indicator confirming supply voltage plus varistor to give over voltage protection to the source and load</p> | <table border="1"> <thead> <tr> <th colspan="2">LED colour</th> </tr> </thead> <tbody> <tr> <td>R</td> <td>Red</td> </tr> </tbody> </table> | LED colour | | R | Red | <table border="1"> <thead> <tr> <th colspan="2">Connection type</th> </tr> </thead> <tbody> <tr> <td style="text-align: center;">0</td> <td>PG Cable entry</td> </tr> <tr> <td style="text-align: center;">1</td> <td>Moulded cable (with 2metre length)</td> </tr> </tbody> </table> | Connection type | | 0 | PG Cable entry | 1 | Moulded cable (with 2metre length) |
| Voltage | | | | | | | | | | | | | | | | | | | | | | | | | | | |
| A | 220V AC | | | | | | | | | | | | | | | | | | | | | | | | | | |
| G | 24V AC | | | | | | | | | | | | | | | | | | | | | | | | | | |
| W | 24V DC | | | | | | | | | | | | | | | | | | | | | | | | | | |
| Housing Colour & Indication | | | | | | | | | | | | | | | | | | | | | | | | | | | |
| T0 |  <p>Transparent housing with Bipolar LED indicator confirming supply voltage</p> | | | | | | | | | | | | | | | | | | | | | | | | | | |
| T1 |  <p>Transparent housing with Bipolar LED indicator confirming supply voltage plus varistor to give over voltage protection to the source and load</p> | | | | | | | | | | | | | | | | | | | | | | | | | | |
| LED colour | | | | | | | | | | | | | | | | | | | | | | | | | | | |
| R | Red | | | | | | | | | | | | | | | | | | | | | | | | | | |
| Connection type | | | | | | | | | | | | | | | | | | | | | | | | | | | |
| 0 | PG Cable entry | | | | | | | | | | | | | | | | | | | | | | | | | | |
| 1 | Moulded cable (with 2metre length) | | | | | | | | | | | | | | | | | | | | | | | | | | |

Example

The ordering no. for 3/2 Single solenoid pilot operated NO valve, 24V D.C, connectors with LED of Transparent colour housing with Bipolar LED and varistor with moulded cable : **DP135SR61-WT1R1**